



Shandong Foru Tech Co., Ltd.

The Best Is For You!



www.forulift.com
Email: Inquiry@forulift.com
<https://www.facebook.com/forulift>
<https://www.facebook.com/betterlift>
Phone/WhatsApp/WeChat: +86 18615199729



FORU

THE BEST PARTNER IN YOUR BUSINESS

About us

Shandong Foru Tech Co., Ltd. is located in Jinan, China and was founded in 2000. Our R&D team, whose members have explored, studied and developed construction machinery for 16 years, specializing in the hydraulic lift platform.

When choosing your lift, choose a manufacturer you can trust. All of FORU's products meet the highest quality and safety standards.

When you have an access need – whether it's for a home or for a warehouse or for a public facility – Foru Lift can help you. Our comprehensive offering includes platform lifts, scissor lifts, goods lift, cargo lift, wheelchair lift, boom lift, trailer boom lift, dock ramp, disabled lifts, loading ramp, through floor lifts, home elevators, passenger lifts, portable wheelchair lifts and goods lifts, etc. We also offer a complete lift servicing, repair service.

If you require a full project management service, you can rest assured you are in capable hands with Foru lift. Our multi-skilled staff can undertake all your surveying, preparatory and installation works, and we are always there to provide you with that all-important after-sales support.

Qualifications

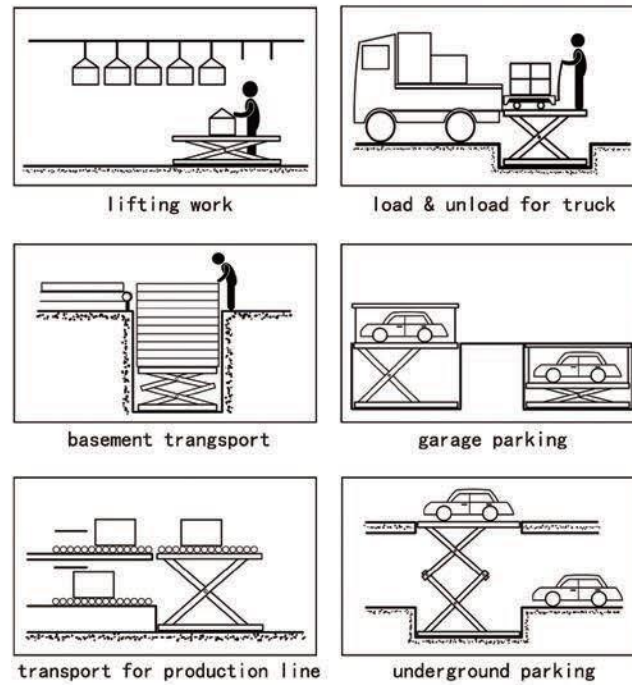




Stationary Scissor Lift	1
Cargo Lift	3
Scissor Car Lift	7
Four-Post Car Lift	9
Electric Self-Propelled Scissor Lift	11
Movable Loading Ramp	12
Wheelchair Lift	13
Mobile Scissor Lift	15
Aluminum Lift Platform	17
Trailer Articulated Boom Lift	19
Passenger Elevator	21
Parking Lift	22



Stationary Scissor Lift



The product instance



1

Stationary Scissor lift is a kind of widely used equipment that is generally installed in the pit and usually used for lifting goods to working place or to other floors, loading and unloading goods from trucks with forklift. It is widely used in factories, logistics, garages, supermarkets, warehouses and other places. This model of lift is designed and produced on certain requirements of customers, on four aspects: load capacity, lifting height, table size and power supply. It is driven by hydraulic system, working stable and safely with large load capacity. Remote control and multi-control points at different floors could be realized. Lifting, Stop and Descending could be realized at each control point according to customers' requirement. The control panels are available both on the designated floor and on the platform.



Tilting table



Roller table



Lift/revolving stage

Customer's feedback

Single Scissor Lift



2

Multi Scissor Lift



Large-scale Scissor Lift Twins



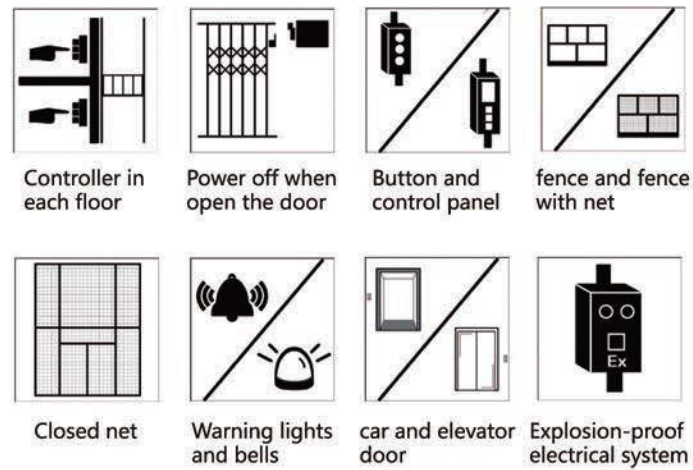
Lift Stage





Product Introduction

Gargo lift moves materials--in factories, warehouses, industrial plants, institutions--anywhere that products or supplies need to move from one level to another. It is an ideal replacement of elevator that provides fast, efficient, convenient and safe access to or from mezzanines, balconies, basements, and between levels in multi-storey buildings. For mechanical structures,there are two types: single guide-rail and double-guide rail. For different installation sites,guide-rail lift can be installed for through-floor, interior or exterior applications.We offer the most complete line of guide-rail lift from mechanical to hydraulic to fully automatic, customized systems for various requirements.



3

Product Features

- Carriage: Guard rails on platform; Guard rails on platform with networks; Lift car; Outer protection.(optional)
- Double safety factor: There are chains as well as insurance ropes,and the ropes can keep safety once the chains broken.
- Landing door: Manual opened door , Automatic roller shutter , Automatic elevator door.(optional)
- Calling box shall be placed on the neighboring wall of each floor, and electrical components adopts DELIXI,PEOPLE,SIEMENS orSCHNEIDER.(optional)
- Automatic leveling: It is automatically stopped when the platform reaches the target floor.
- Caution light and alarm bell.(optional)
- Safety switch: The power is cut off when the landing door is open. The equipment shall not run if any of the landing door is not closed.
- Emergency descending valve.The lift shall lower down manually to the nearest floor in circumstance of power failure.
- Pressure relief valve: It can prevent overload, if overload the valve relief pressure and the platform will stop moving.

Single Guide-rail



Double Guide-rail



4



Appendant

Lift Car



Landing Door



5

Outer Protecting



Appendant



6

Covered Mesh



Scissor Car Lift

Product Introduction

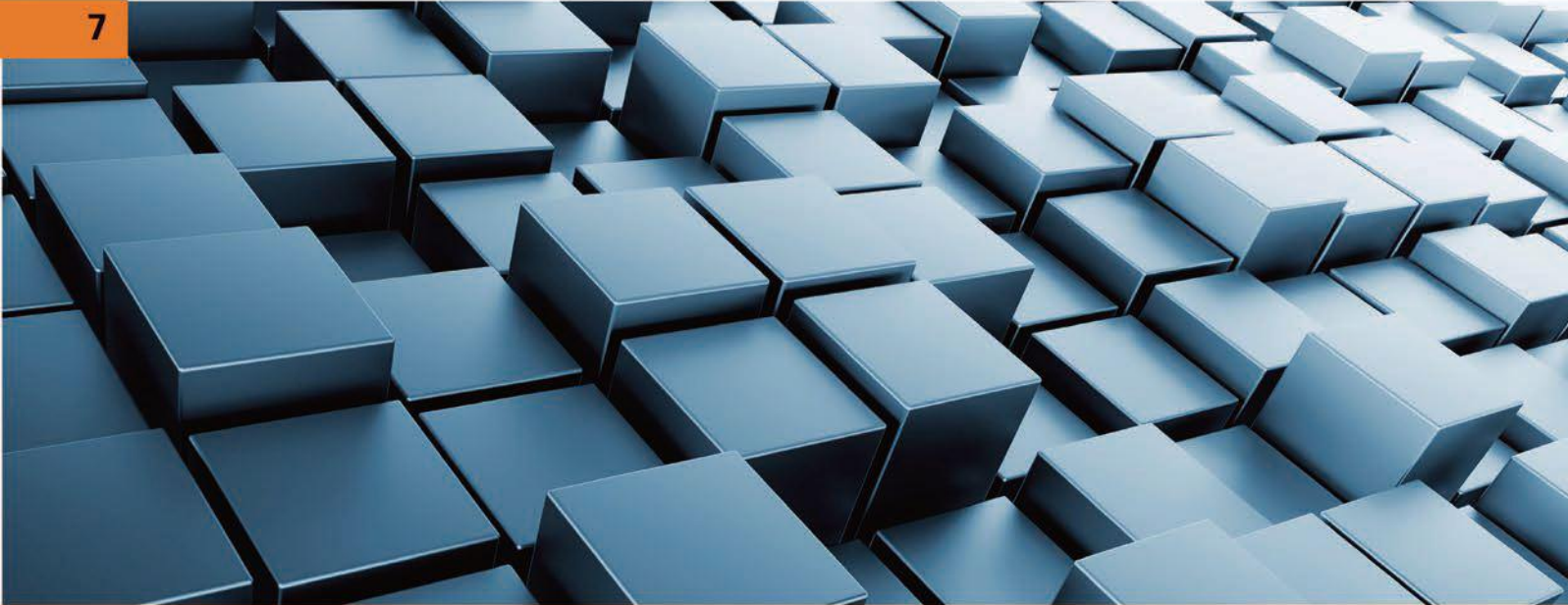
Scissor car lift is fabricated using high grade of raw material for its structure and adopts overload safety device in the hydraulic system, possessing advantages of strong structure, high load capacity, and smooth lifting. Apart from this, it is easy to operate, Multi-control points both on different floors and on the platform could be realized. Our range finds its application in different sectors: Showrooms, Auto 4S Stores, Garages, Workshops, Parking Facilities.



Technical Parameters

Capacity	3000 (kg)
Lift Height	2500-5000 (mm)
Platform Size	5800 x 2600 (mm) accept customize
Power Supply	380V

7



In accordance to the precise requirements of the clients, we offer car lifts taking care of factors as:

- 1、 Platform size (or the measure of the space)
- 2、 Capacity
- 3、 Lifting height
- 4、 Operating mode
- 5、 Installation environment (indoor or outdoor, to be transported and the method of handing)
- 6、 Other additional devices

Feedback



8

Product Introduction

Four-post car lift is a vertical hydraulic lifting equipment for transporting cars, which is mainly used in building parking lot lifting cars up and down among floors where there is huge altitude difference. It is widely applied in auto 4S stores, large garages, multi-storey parking lot, etc., and also can be used for lifting goods, possessing advantages of high safety, smooth lifting, and easy operating.



Product Features

- Automatic leveling. It is automatically stopped when the platform reaches the
- Door-motor system linkage: When the platform reaches the target floor, the door on this floor opens.
- High strength double chains transmission, non-extending, long service life and high
- High precision hydraulic drive, smooth, lifting, easy operation and low failure
- High-duty pump, quick in lifting speed and Low noise emission.
- The chains have adjustable screws to make sure the balance of the platform so that the car could be lifted up and down smoothly.
- Novel and attractive design, strong and durable structure.

Technical Parameters

Capacity	3000-5000 (kg)
Lift Height	3000-16000 (mm)
Platform Size	2800*5800 (mm)
Power Supply	380V



Double Chains Transmission



Tensile Cylinder



Vertical Controller Cabinet(Optional)



Caution Light



Infrared Photoelectric Sensor(Optional)



Fall Arrester(Optional)



Product Introduction

Electric self-propelled scissor lift is ideal lift platform for aerial maintain and clean, Applicable for indoor or outdoor use. With AC driven system. Battery power, no noises and emission when working. 90-degree steering can run in both high and low speeds, enable electric lift work in small space.

Advantage:

1. Quiet and convenient devices: The scissors lift takes storage battery as the power source, and makes low noise and no emission when operating, so it can be used in indoor occasions such as workshops, warehouses, hotels, etc.

2. Compact Structure : Its working sidebar can be folded, which enables it go through small openings and operate in small space.

3. Large Working Face: The working table can extend on one side (power-driven) or extend on both sides (diesel-driven), which can enlarge the working face.

4. Swing-out Tray : The trays in both sides of the chassis can be swung out, which facilitate the maintenance, inspection and replacement.



11 Technical Parameters

Model	Max platform height	Capacity	Platform size	Platform Extend Length	Net weight	Dimensions
ESL300-6	6m	300kg	2270*1120mm	900mm	1850kg	2480*1150*1500mm
ESL300-8	8m	300kg	2270*1120mm	900mm	2250kg	2480*1150*1600mm
ESL300-10	10m	300kg	2270*1120mm	900mm	2500kg	2480*1150*1800mm
ESL300-12	12m	300kg	2270*1120mm	900mm	2800kg	2480*1150*1900 mm



Product Introduction

Movable Dock Levelers are highly appreciated for automatic approach for loading and unloading goods with forklifts. They are used for transporting goods when there were no docks or that need mobile work. These dock levelers act as bridges, and enable in easy, quick and economical flow of work as forklifts could enter into van freely. The hydraulic pump is manually controlled, no needs of power, and one single person can operate easily.

Technical Parameters

Model	Capacity (t)	Lift Range (m)	Dimensions (mm)	Weight (kg)	Operating Mode
MLR-6	6	1.0--1.7	11400*2000*1.1	2400	Manual
MLR-8	8	1.0--1.7	11400*2000*1.1	2650	
MLR-10	10	1.0--1.7	11400*2000*1.1	2750	
MLR-12	12	1.0--1.7	11400*2000*1.1	2950	

12



Manual hydraulic pump no need electric



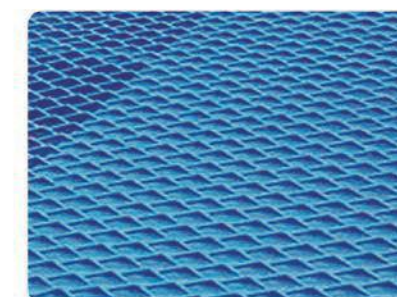
Solid tire with Anti-slide block



High-strength lip with safety chain



Grinding hydraulic cylinder



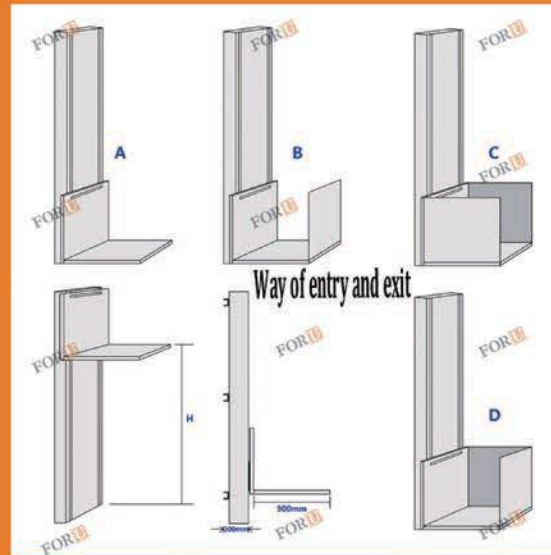
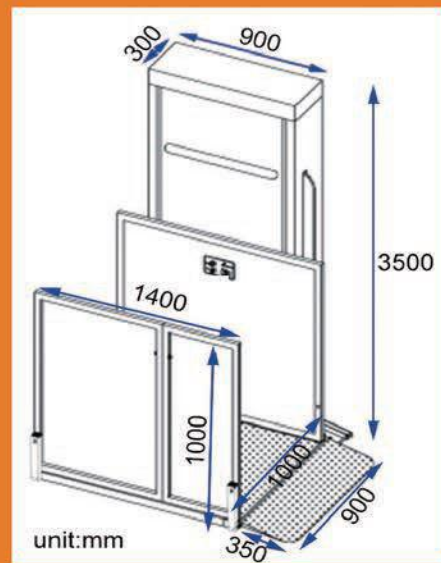
Reversible tail plate for drive forklift



Non-slip steel mesh plate

Product Introduction

Model GX barrier-free lift platform adopts scissor structure and hydraulic drive, which can make smooth and safe lifting; meanwhile, the platform is covered with antiskid surface and equipped with stainless guardrails, possessing compact and fine appearance. It is recommended to be installed into the supporting pit, as the platform and the ground are at the same level when the lift lowers down. The equipment can also adopt safety protection facilities such as folding shields surrounding the scissor part. It possesses advantages of easy operation and high safety that is suitable for newly-built residential area and public infrastructure projects.



Model GH barrier-free lift platform can be installed directly into the ground without pit, that is easy to operate and can make smooth and safe lifting, besides, it covered with static blasting painting panels or stainless steel panels, so that is uneasy to rust when placed outdoors. This model of lifts have fashionable and upscale appearance, and can be maintained very conveniently.



Technical Parameters

Platform Size	1400mm (L) × 900mm (W)
Minimum Platform Height	60mm (above ground)
Maximum Lifting Height:	1000-6000mm (as required)
Entry & Exit Mode:	0° /90° /180°
Lifting Speed:	60mm/s
Load Capacity:	250KG
Control Source:	24V/DC
Motor Power:	2.2KW
Power Supply:	220V/50HZ
Drive System:	Hydraulic Driven
Running Mode:	Jogging control or setted lifting range
Installation Mode:	No pit, installed to the concrete ground directly
Extrocontrol Device:	The panel boxes are placed next to the entrance on the above/below floor.

Feedback



Product Introduction



Mobile scissor lift is equipped with four wheels that can be pulled by two or three people. It can also be trailed by car with traction and can be moved easily. This series of lift platform is widely used in government institutes, power establishment, road administration, advertisement, telecommunication, transportation, docks, airports, factories, etc. for cleaning and repairing. Mobile scissor lift is the ideal equipment for improving work efficiency and it could help you make aerial work more safe and convenient. There are various kinds of models in order to meet different needs, such as the one with electric walking assistant, self-propelled and truck-mounted.

Technical Parameters

Model	Capacity (kg)	Max Platform Height (m)	Platform Size (mm)	Dimensions (mm)	Power Supply (V/Hz)	Power (kw)	Weight (kg)
MSL0. 5-4	500	4	2106*830	2200*950*1100	380V/50HZ	1.1	800
MSL0. 5-6	500	6	2106*830	2200*950*1250	380V/50HZ	1.1	880
MSL0. 5-8	500	8	2106*930	2200*1060*1380	380V/50HZ	1.5	1050
MSL0. 5-10	500	10	2106*1230	2200*1350*1550	380V/50HZ	2.2	1360
MSL0. 5-12	500	12	2550*1530	2720*1670*1750	380V/50HZ	3.0	2260
MSL0. 5-14	500	14	2812*1530	3045*1730*1810	380V/50HZ	3.0	2400
MSL0. 5-16	500	16	2812*1600	3045*1800*2080	380V/50HZ	3.0	3500
MSL0. 5-18	500	18	3070*1600	3250*1800*2080	380V/50HZ	3.0	3900
MSL10-8	1000	8	2100*1200	2200*1350*1420	380V/50HZ	3.0	1585
MSL10-10	1000	10	2100*1200	2200*1350*1530	380V/50HZ	3.0	1700
MSL10-12	1000	12	2550*1530	2796*1670*1750	380V/50HZ	3.0	2560



4 support legs



Electric Walking Assistant



Doha customer' s feedback



Self-propelled





Product Introduction

Aluminum lift platform is mainly made of high-strength aluminum alloy, possessing compact and fine appearance, and the total dimension of the machine is very small and in low weight, so that it can be operated easily and conveniently. With these characters, aluminum lift platform can be carried into narrow spaces passing through doors, corridors and elevators. It is a good assistant for your aerial work and usually used in hotels, supermarkets, airport waiting rooms, museum and gymnasium, etc. for cleaning and repairing.

Technical Parameters

Type	Model	Max Platform Height (m)	Capacity (kg)	Platform Size (mm)	Dimensions (mm)	Power Supply (V/Hz)	Power (kw)	Weight (kg)
Single-mast	AML0. 1-4-1	4	100	600*600	1250*830*1880	AC220V/50HZ	0.75	250
	AML0. 1-6-1	6	100	600*600	1250*830*1980	AC220V/50HZ	0.75	280
	AML0. 1-8-1	8	100	600*600	1320*830*1980	AC220V/50HZ	0.75	300
	AML0. 1-10-1	10	100	600*600	1370*900*2100	AC220V/50HZ	1.1	340
	AML0. 2-4-2	4	200	1030*540	1300*950*2000	AC220V/50HZ	1.5	380
Doble-mast	AML0. 2-6-2	6	200	1030*540	1250*830*1980	AC220V/50HZ	1.5	420
	AML0. 2-8-2	8	200	1200*540	1430*900*1980	AC220V/50HZ	1.5	550
	AML0. 2-10-2	10	200	1320*540	1550*900*2000	AC220V/50HZ	1.5	600
	AML0. 2-12-2	12	200	1460*540	1680*920*2000	AC220V/50HZ	1.5	700
	AML0. 2-14-2	14	200	1460*600	1680*1010*2350	AC220V/50HZ	1.5	800

Electric Walking Assistant



Doble-mast



Inclinable



Product Introduction

The trailer articulated boom lift platform can overhang operation, can overcome some obstacles or in a point lifting for more point work. This kind of lift can rotate 360 degrees, load capacity big, available to two people for working at the same time and carry some tools; mobile flexible, transfer workplace convenient, appearance beautiful.

Trailer boom lifts are widely used in highways, boatyards shopping walls, stadiums, dock, station, marketplaces, gymnasiums and residential property, workshop, residential property, mining workshops and any other isometric maintenance operation of complex high-altitude construction and other large range homework place.

Power options available on the lift include diesel engine, electric(batteries).



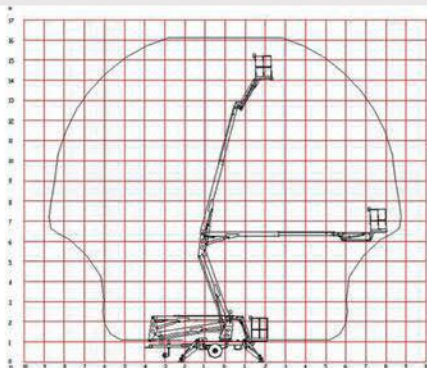
Technical Parameters

Model	Platform height	Working height	Working radius	Rotation	Loading capacity	Platform size	Lifting speed	Anti wind level	Self weight
TBL8	8m	10m	4.5m	360°	200kg	1200*800mm	3-5m/min	≤5	1500kg
TBL10	10m	12m	5m	360°	200kg	1200*800mm	3-5m/min	≤5	1700kg
TBL12	12m	14m	6m	360°	200kg	1200*800mm	3-5m/min	≤5	2000kg
TBL14	14m	16m	8.5m	360°	200kg	1200*800mm	3-5m/min	≤5	2350kg
TBL16	16m	18m	9m	360°	200kg	1200*800mm	3-5m/min	≤5	2600kg
TBL18	18m	20m	10m	360°	200kg	1200*800mm	3-5m/min	≤5	4300kg
TBL20	20m	22m	12m	360°	200kg	1200*800mm	3-5m/min	≤5	4450kg

Feedback



Feedback



14m Working Range



Passenger Elevator



Product Introduction

Flexible car design is the most ideal choice for hotels, restaurants, office buildings, commercial and entertainment centers, shopping malls and other places. The clear height of car is 2.5m with elegant decoration, it is easy for transporting passengers and furniture, and so on. New residential elevator type both meets purchase requirements of economical and psychological expectations for safe, reliable, comfortable and durable. Fully embodies the perfect balance of functionality and price.

Technical Parameters

Rated Speed	1m/s-6m/s
Capacity	400kg-2000kg
Drive Type	AC, Hydraulic
Power supply	220v/380v(accept customize)

PE-102

Ceiling: Wide arched white translucent panels lighting
 Car walls: Mirror, etching, hairline stainless steel, auxiliary board is hairline stainless steel
 Handrail: Stainless steel matte short-grain single tube
 Floor: PVC floor

PE-103

Ceiling: Wide arched white translucent panels lighting
 Car walls: Mirror, etching, hairline stainless steel, auxiliary board is hairline stainless steel
 Handrail: Stainless steel matte short-grain single tube
 Floor: PVC floor



PE-101

Ceiling: Stainless steel plate with tube lamp for soft illumination design
 Car walls: Hairline stainless steel
 Floor: PVC floor



Parking Lift

Product Introduction

The two and four post parking lift. That's two kind of valet parking equipment, suitable for both commercial and residential parking purposes. It moves only vertically, so the users have to clear the ground level to get the higher level car down. It is hydraulic driven with chains. The equipment can be used for both sedan & small SUV.

Technical Parameters

Two Post Parking Lift		Four Post Parking Lift	
Model	FPK27	Model	TPK23 TPK27 TPK32
Lifting Capacity	2700kg (3ton 3.2ton customize)	Loading capacity	2300kg/ 2700kg/3200kg
Equipment Weight	1000kg	Lifting height	2100mm
Lifting Height	1800mm / 2000mm	Available car size	5000x1850x2050mm
Usable Platform Width	2150mm	Power	2.2/3 kw
Electrical Required	220-420V, 1 or 3Phase, 50/60Hz	Lifting/lowing time	50/45 s
Control Power	24V	Operation	Key switch
Lock Device	Dynamic	Lock device	Dynamic
Lock Release	Electric auto release	Usable platform width	2100mm
Operation	Key Switch	Certification	CE by TUV
Power Pack	2.2Kw	Drive mode	Hydraulic
Lifting/Lowering Time	50/45 sec	Surface treatment	Powder coating
Finishing	Powder coating	Warranty	10 years for structure, 3 years for parts
		Lock release	Electric auto release

